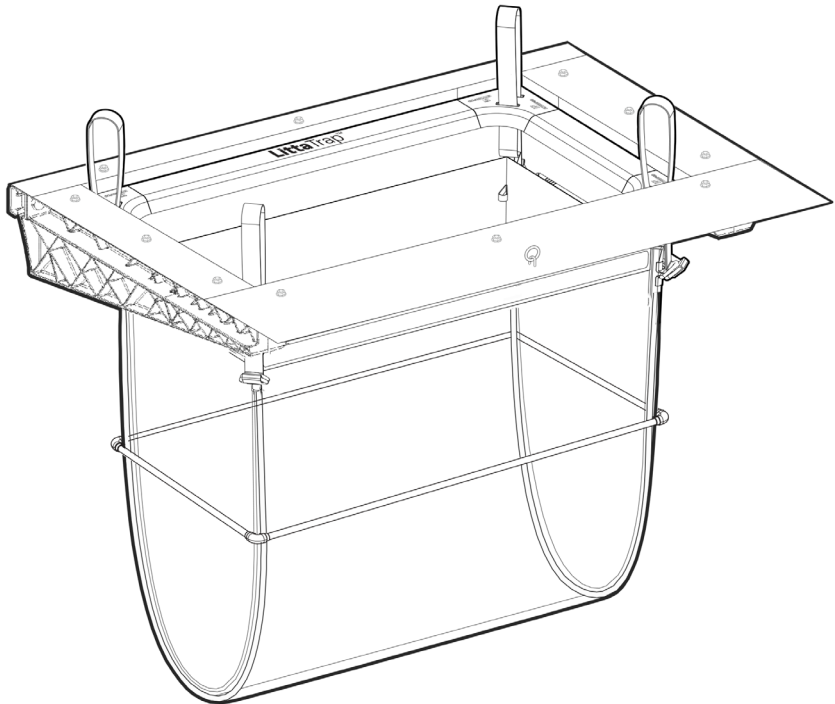


## EnviroPod LittaTrap™ For Curb Inlet Catch Basins



### For installation you will need:

- Measuring Tape
- Box Knife
- Rotary Hammer Drill and 3/8" (10mm) Masonry Bit
- Socket Set with 1/2" (13mm) & 11/16" (17mm) Sockets
- Battery Drill/Driver & 5/16" (8mm) Socket Bit



**ENVIROPOD™**

**ENVIROPOD.COM**



## WARNING

It is essential to follow any local or national Occupational Health and Safety Laws when installing or maintaining LittaTrap™ filters. Ensure all required Personal Protection Equipment (PPE) is worn at all times and Traffic Management rules are adhered to.

When maintaining the LittaTrap™ follow all local or national guidelines for manual lifting whenever hand maintenance is actioned.



## SITE SAFETY

We recommend checking your local website for a Site Specific Safety Plan before undertaking any installation.



## HEALTH AND SAFETY

Personal Protection Equipment (PPE) is required when installing or maintaining a LittaTrap™. This will mean long sleeves, long pants, Hi-Viz, and closed shoes.

We also recommend the use of gloves when maintaining the LittaTrap™.

When maintaining the LittaTrap™ by hand it is essential to identify and assess the weight of the captured material before lifting, as weights can vary depending on the filter contents.

For additional advice on the relevant Health and Safety requirements we recommend that you consult your local website.



## MAINTENANCE

All treatment devices require maintenance to remove trapped contaminants and prevent overflow bypass or flooding. Due to the variable nature of stormwater pollution and localised site pollutant loadings, maintenance frequencies vary for different sites and different rainfall characteristics. It is recommended to inspect your LittaTrap™ frequently over the first year of operation to determine seasonal and annual maintenance requirements.

The LittaTrap™ filter should be maintained when it is approximately 2/3 filled with pollutants or if the filter fabric becomes blocked from hydrocarbons, organics or sediment.

Maintenance is carried out by lifting the filter insert out of the frame assembly using 'J' hooks and emptying into a suitable vessel or trailer to be taken away from the site and disposed of appropriately for the contaminants. Please ensure that all care is taken when disposing of litter as the rubbish caught could contain sharp and dangerous objects.

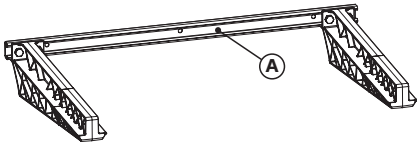
If there are no "J" hooks the bag can be lifted out by the pulling the Filterbag handles. If the filter fabric is clogged, it should be water blasted into a contained vessel prior being fitted back into the frame assembly.

When carrying out maintenance of the LittaTrap™, it is essential to inspect the overflow bypass slots at the top of the filter insert to ensure no pollutants have been caught and may restrict the flow.

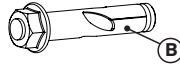
If the LittaTrap™ insert is too heavy to lift by hand, it will need to be maintained using a vacuum inductor truck. When cleaning using a vacuum inductor truck it is essential to take care to not damage the bag from the induction boom. Sediment and pollutants should be vacuum inducted until approx 3/4 empty, and then the remainder lifted and emptied by hand.

# SUPPLIED COMPONENTS

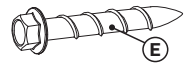
Part A – x1  
**Bracket**



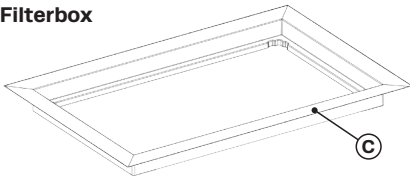
Part B  
**Masonry Anchor Bolts**



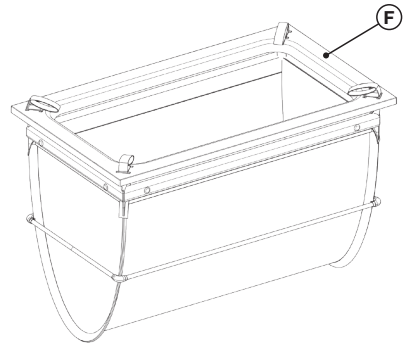
Part E  
**Self Drilling Hexhead Screws**



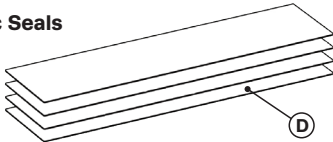
Part C – x1  
**Filterbox**



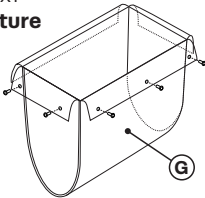
Part F – x1  
**Filterbag**



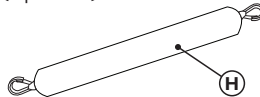
Part D  
**Plastic Seals**



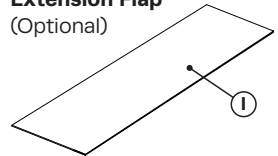
Part G – x1  
**Full Capture Liner**



Part H – x1  
**Oil Absorbant Pouches (Optional)**

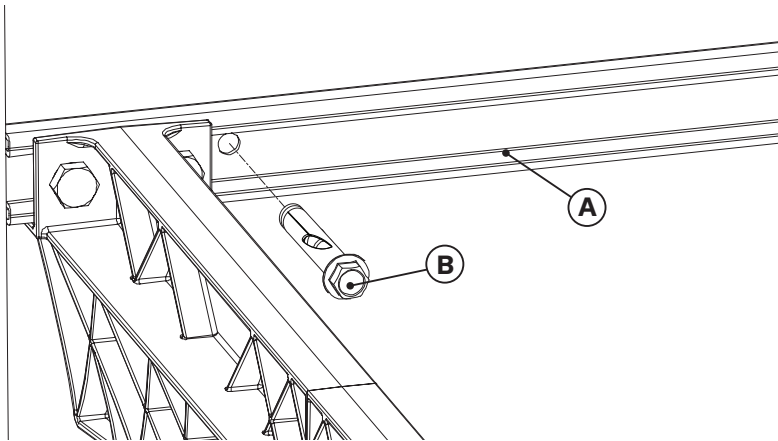
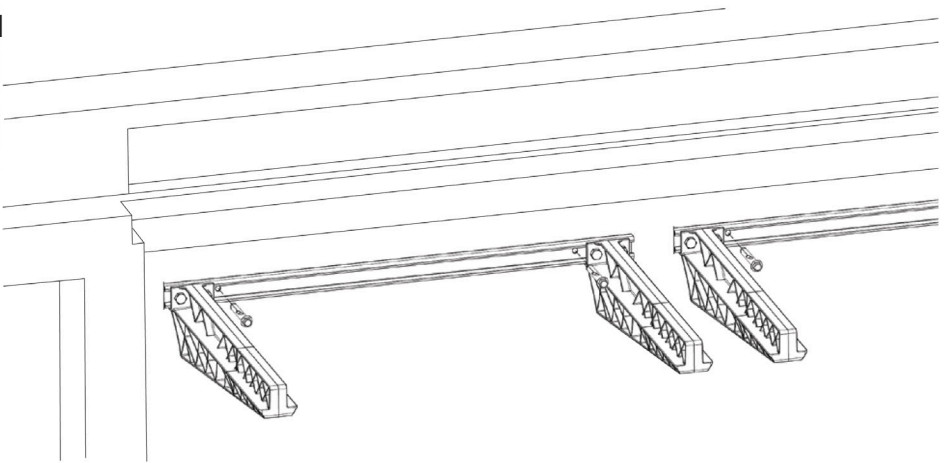


Part I – x1  
**Extension Flap (Optional)**



# BRACKET INSTALLATION

01



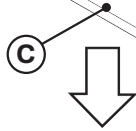
## STEP 01

Place the **Bracket** support at approximately 8" (200mm) below the grate or low enough to intercept any kerb entry inlet and ensure it is level. Using the **Masonry Drill**, drill holes into the pit wall using the **Bracket** holes as guidelines.

Insert the **Anchor Bolts** and using the **1/2" (13mm) socket**, secure through the bracket into the wall and tighten to secure.

# FILTERBOX INSTALLATION

02



## STEP 02

Place **Filterbox** onto the bracket & position below grate opening. The standard filterbox distance from the wall is approx. 1" (25mm). Do not install the filterbox more than 6" (150mm) from the wall the bracket is attached to or it will not be supported correctly. Note the location of the outlet and ensure the LittaTrap™ basket will not be directly against or impede the outlet once installed.

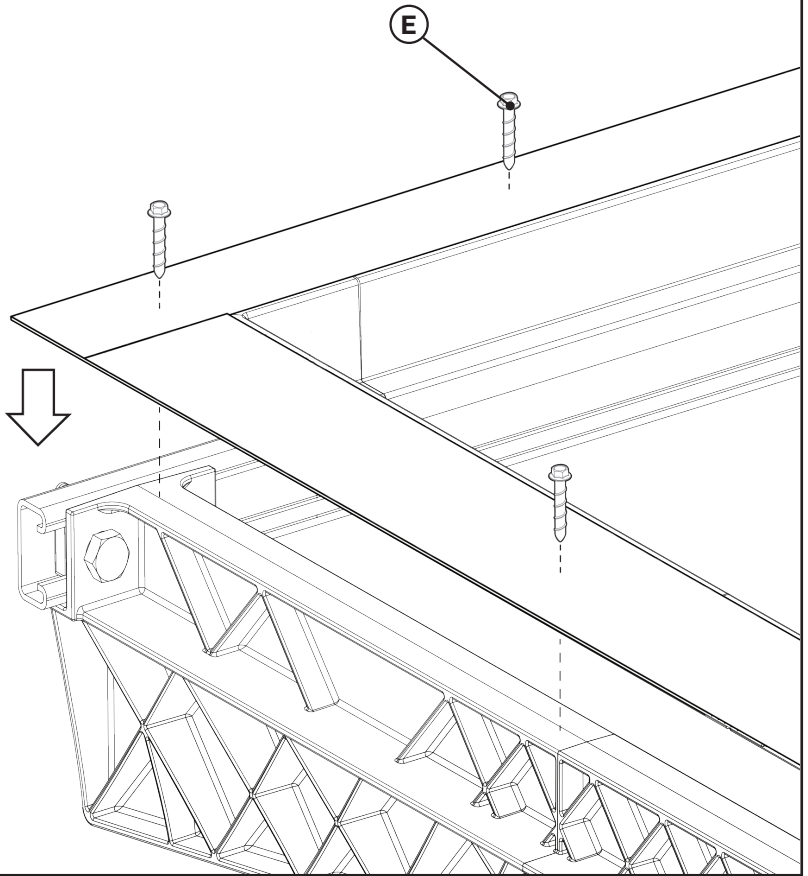


### STEP 03

Measure & trim **Plastic Seals** to size with a **Box Knife** to seal gaps between the **Filterbox** & pit wall ensuring the seals are oversized so they curve up to the catch basin wall. Make sure the **Plastic Seals** are flush with the **Filterbox** inside edge and do not overlap the inside face. Seals should be neatly trimmed if required to prevent any buckling. All water should flow from the seals to the basket without any ponding. Ensure any gaps are filled with construction sealant.

## FILTERBOX INSTALLATION

04

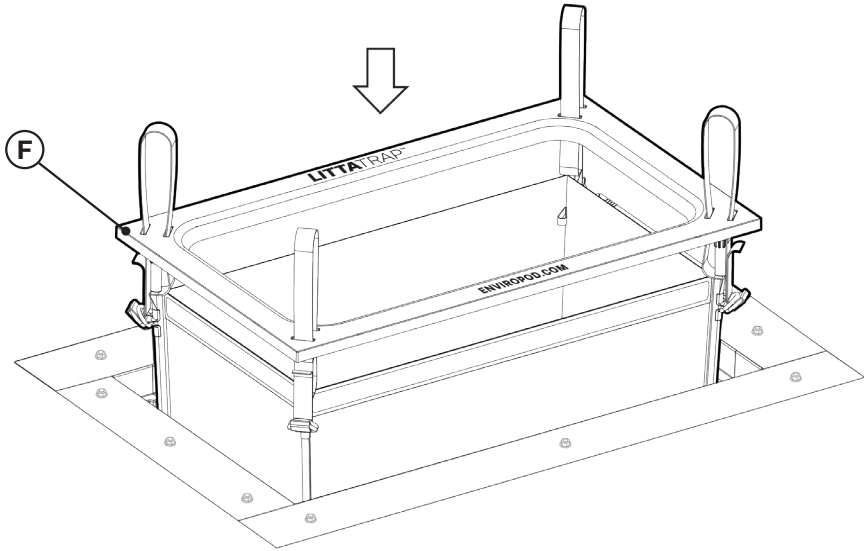


### STEP 04

Secure the unit using the **Battery Drill** to screw the **Self Drilling Screws** through the **Plastic Seals** into the **Filterbox** and into **Bracket assembly**. Complete on all sides. Screws should be located on the four corners, and in the center of each of each side of the basket.

## BASKET INSTALLATION & FINAL ASSEMBLY

06



### STEP 06

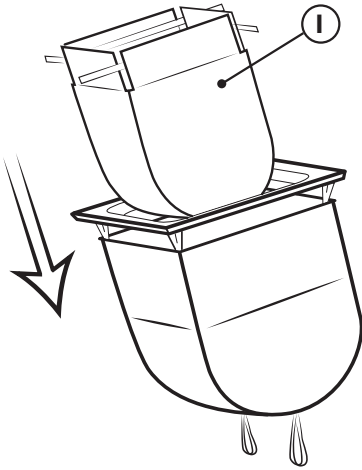
Complete the **LittaTrap** installation by lowering the **basket** (with the full capture performance liner) into the filterbox.

# LINERBAG INSTALLATION GUIDE – ALL MODELS

## 06

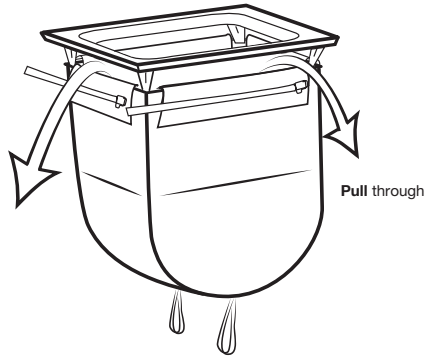
### 6.1 Insert Full Capture LinerBag

Check LittaTrap & LinerBag size match



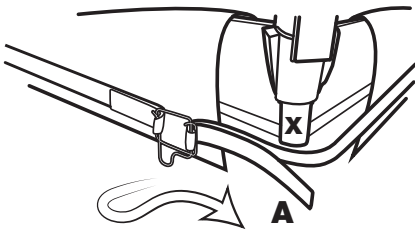
### 6.2 Pull LinerBag flaps through gap

Check LinerBag is not stressed in corners and no gaps



### 6.3 Thread strap 'A' through buckle (all corners)

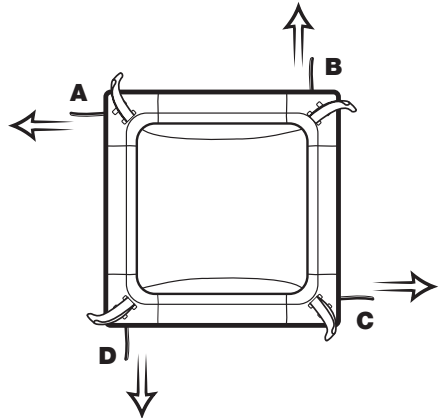
Arrange straps below plastic corner peg 'X'



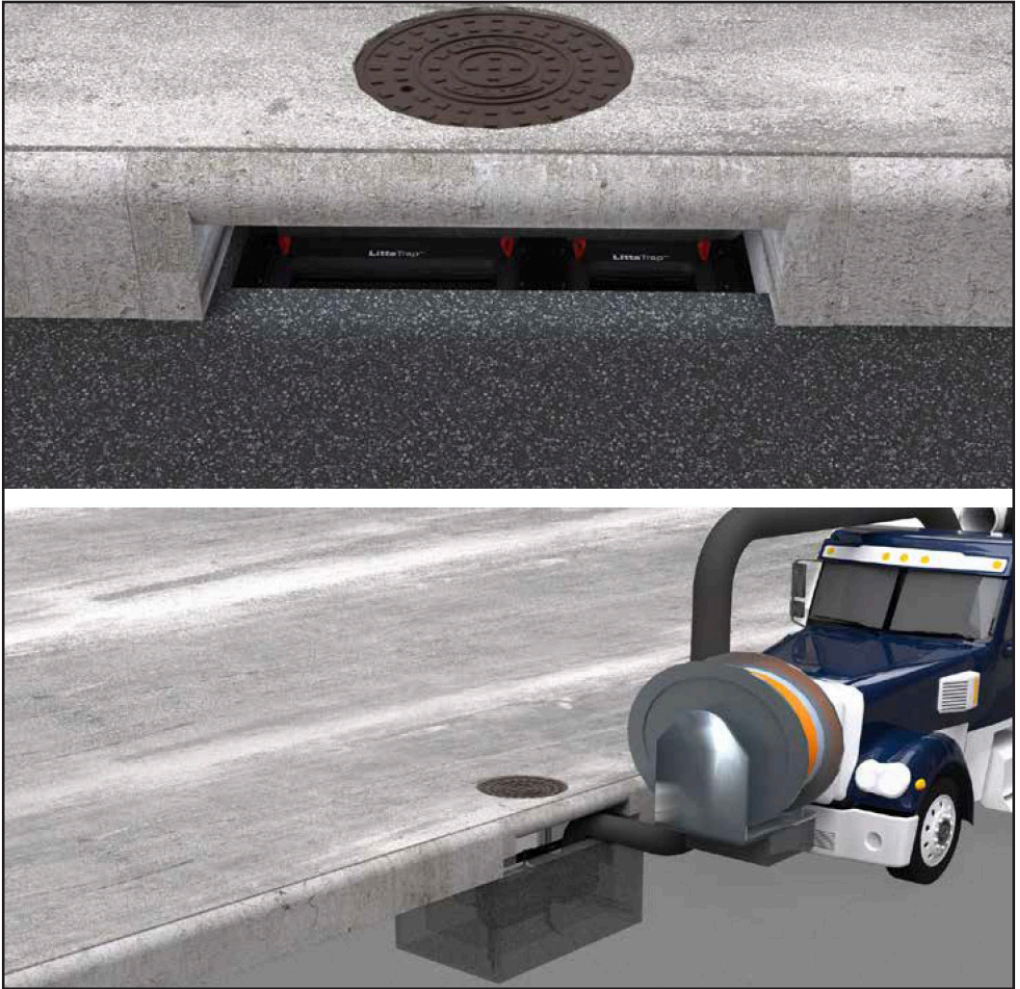
Thread strap through **middle** of buckle  
**around** and **under**, then **pull** tight

### 6.4 Pull LinerBag straps tight all corners

Check straps are below plastic corner pegs (fig 3)

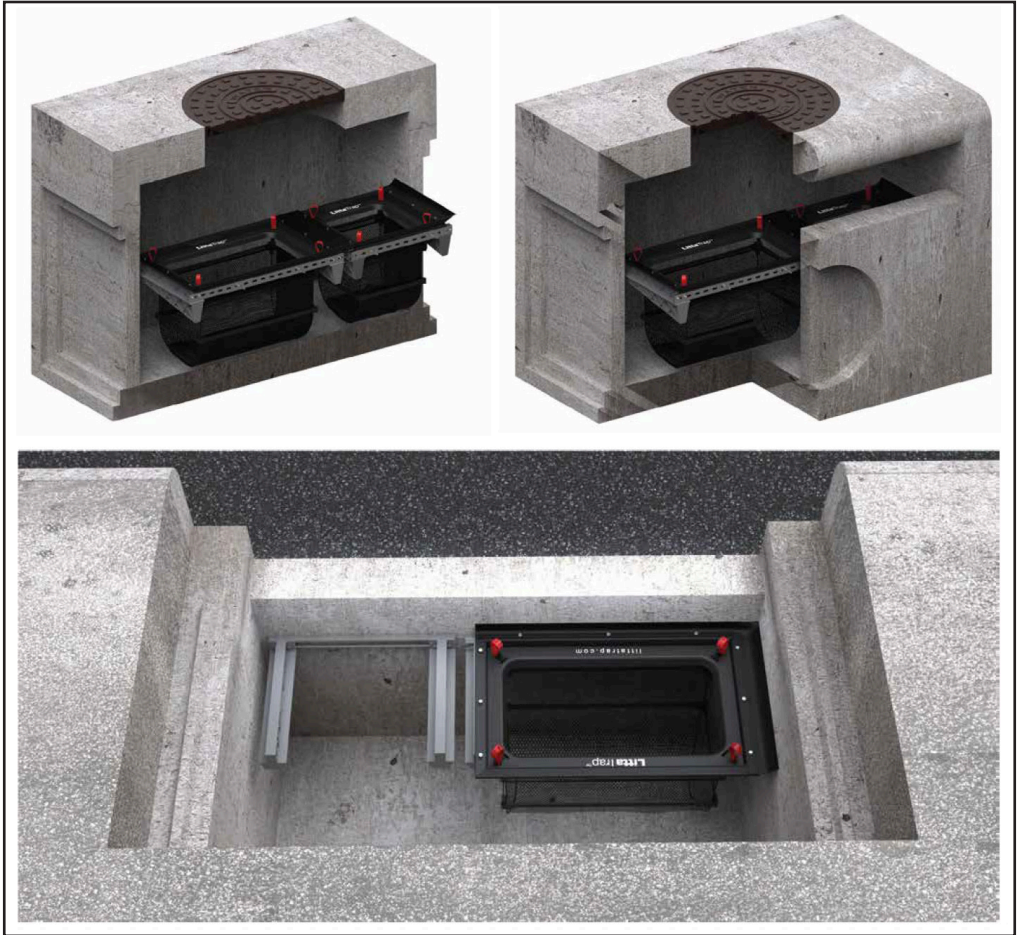


## MAINTENANCE



Access to the LittaTrap units can be done through the curb entry slot or through the manhole access cover.

## LAYOUT & SIZING



Arrange the LittaTrap™ Bracket along the vault wall below the curb slot.

For design guidance based on flow rates, storage volume and maintenance intervals please contact us via our website on [www.enviropod.com/contact](http://www.enviropod.com/contact) for assistance.

EnviroPod recommends removing the internal bypass from the LittaTrap™ and use the available overflow to the subsequent units as the bypass.

# LITTATRAP™ INSTALLATION CHECKLIST

Please complete each step with each installation of the EnviroPod™ LittaTrap™ products.

Each EnviroPod™ LittaTrap™ installation step must be completed in order to receive the 8 year warranty.

Installation Steps	Complete (Y/N)
1. The catch basin is clean and free of trash and debris and any protruding pipes are cut back flush with the catch basin walls.	
2. The support bracket is installed 200mm (8") below the top of the grate level or below curb entries.	
3. Anchor bolts are securely tightened and firmly support the bracket. Anchor bolts are tightened so the bracket is secured firmly against the catch basin wall.	
4. Filterbox positioned so the basket can easily be removed through the open grate. The Filterbox edges must be at least 25.4mm (1") away from the catch basin walls.	
5. Basket is the correct size for the clear opening of the catch basin grate and does not block the outlet.	
6. Seals are securely fastened to the Filterbox, and bracket arms where appropriate.	
7. The seals are fastened with a minimum of one screw at each corner, and one in the center of each side of the Filterbox.	
8. Seals must not overhang the Filterbox or the basket will not seat properly. Seals must butt up to lip at edge of Filterbox and be trimmed to prevent buckling.	
9. Seals curve up the walls of the catch basin with a fall towards the basket. See the correct installation image on the installation best practice page.	
10. If Extension seals span further than 150mm (6"), ensure they are mechanically fixed to the wall of the catch basin. Refer to the seal support drawing for more information.	
11. The basket and liner is placed in the Filterbox, with the top flaps passed through the overflow bypass slots and buckled below corner posts (see the correct liner installation photo in the best practice pages). If necessary, is the hinged vector portal installed and operable with the grate closed.	
12. If necessary, that the hinged vector portal installed and operable with the grate closed and provides a clear view to the bottom of the catch basin.	
13. Check for gaps greater than 5mm (0.19") and seal using an appropriate construction sealant as necessary.	
14. Take photos of the installed unit with the basket in and out and keep it on file to show it was installed correctly.	
15. All materials cleared from installation and the site is left tidy.	
16. Close the grate.	

# INSTALLATION BEST PRACTICE

## LINER INSTALLATION



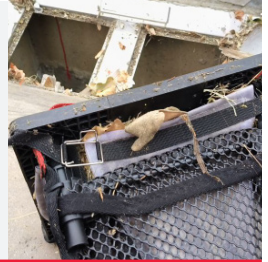
### Correct attachment

Liner is folded through the overflow bypass, buckle is below corner post.



### Blocking overflow bypass

This liner was installed over the basket collar, blocking the overflow bypass, which could cause flooding in a significant rain event.



## LINER INSTALLATION



### Correct install

Liner is correctly installed with no gaps.



### Incorrectly installed

The performance liner is not installed correctly, it is too loose so flows will bypass the liner.



## COMBO INLET



### Correct orientation

LittaTrap™ correctly installed in combo inlet. The LittaTrap™ is installed near the roadside, directly under the clear opening for easy basket access.



### Incorrect orientation

LittaTrap™ under the wrong part of combo inlet. When the basket is full the crossbar will block it in, so most of the material will have to be removed by hand/vector truck before the basket can be removed. Note – the vector port also is not installed correctly.



## OFFSET



### Acceptable offset

The catch basin offset, if any, does not hinder LittaTrap™ installation or removal of the basket for maintenance.



### Excessive offset

Basket would be difficult to remove once full. A difficult model of LittaTrap™ may be required.



# INSTALLATION BEST PRACTICE

## SEALS



### Correct seals

Seals curve up the walls of the catch basin with a fall towards the basket. The plastic seals are flush with the filterbox inside edge and do not overlap the inside face. There is no gaps larger than 5mm.



### Excessive gap

Seal should not have any gaps larger than 5mm.



## SEALS



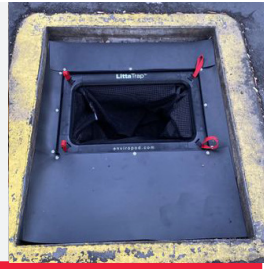
### Bolted with anchor bolt

Seals are bolted with anchor bolts to the wall and the seals are flush with the filterbox inside edge and do not overlap the inside face.



### Oversized seals

Seal span further than 150mm (6"), and is not mechanically fixed to the wall of the catch basin with anchor bolts.



To register your warranty scan the QR code below.



Scan here to learn more.

[ENVIROPOD.COM](https://enviropod.com)  
[INFO@ENVIROPOD.COM](mailto:info@enviropod.com)