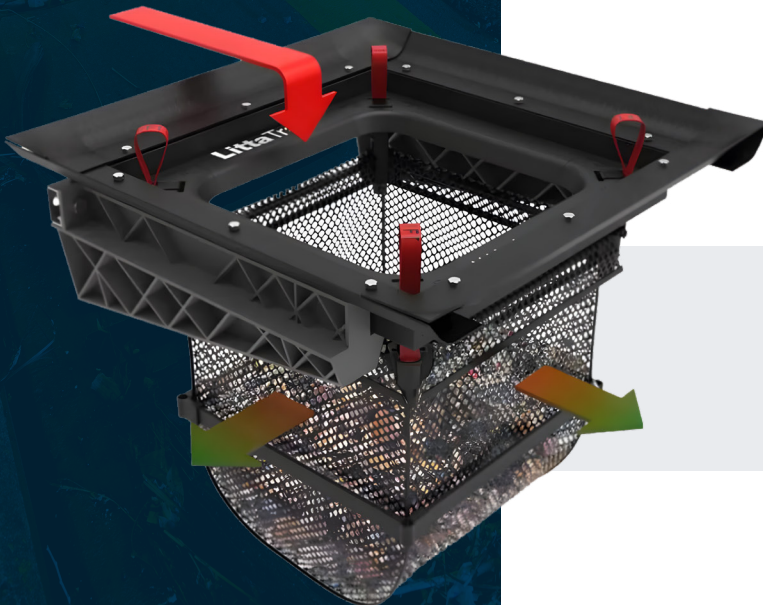


- » **PROVEN CATCH BASIN TECHNOLOGY:**
Effective stormwater treatment trusted worldwide.
- » **25+ YEARS OF STORMWATER INNOVATION:**
Providing reliable at-source treatment solutions.
- » **65,000+ SUCCESSFUL INSTALLATIONS:**
A track record of proven stormwater management.
- » **TRUSTED BY MUNICIPALITIES & BUSINESSES:**
Partnering to protect our waterways.

EnviroPod™ understands the importance of effective stormwater management for Canadian communities. With over 65,000 installations worldwide and 25+ years of innovation, EnviroPod™'s LittaTrap™ catch basin filter delivers exceptional performance in even the most demanding conditions.

Designed for easy installation, durability, and simple maintenance, LittaTrap™ provides a cost-effective and reliable solution for reducing stormwater pollution and enhancing the health of Canada's waterways.

- » **EASY INSTALLATION:**
Fewer parts, lighter frame for faster, simpler on-site setup.
- » **MODULAR DESIGN:**
Flexible configuration adjusts to any catch basin.
- » **SEAL & ADAPTOR SOLUTIONS:**
Kits for irregular and manhole catch basins.
- » **SIMPLE MAINTENANCE:**
No confined space entry. Maintain by hand or vacuum truck.
- » **HYDRAULICALLY ENGINEERED & THIRD PARTY TESTED:**
Proven performance and reliability.
- » **LIGHTWEIGHT & DURABLE:**
Safer, longer-lasting alternative to heavier systems.
- » **MULTIPLE CONFIGURATIONS:**
Manhole, Curb, and Grate Inlet options available.



More information is available at www.enviropod.com

EASY MAINTENANCE

Maintenance is a simple process that requires no confined space entry. Maintenance can be quickly undertaken using a vacuum truck or it can be maintained manually by hand.



1 Lift

Lift the LittaTrap™ out of the catch basin using the LIFT handles.



2 Tip

Tip the contents out of LittaTrap™ into suitable receptacle for contents.



3 Reuse

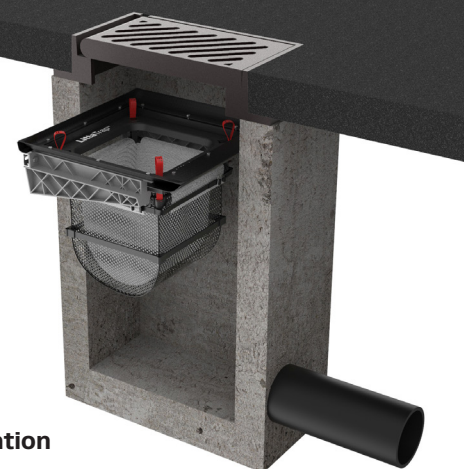
Reuse the LittaTrap™ by placing securely back into the surrounding frame and seal, and close grate.

INSTALLATION - CURB AND GRATE INLET



Scan QR code to download installation manual or go to:

www.enviropod.com/resources/installation



Captured trash from one LittaTrap™

