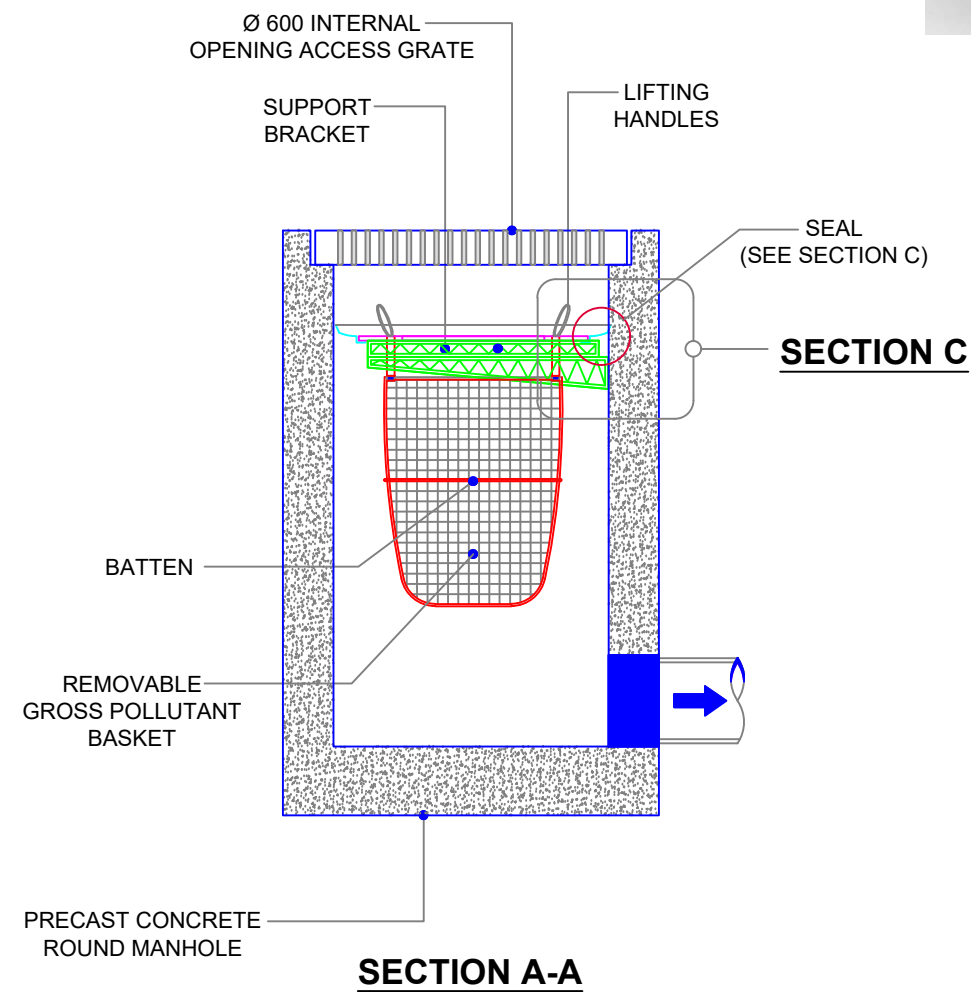


**PLAN VIEW**

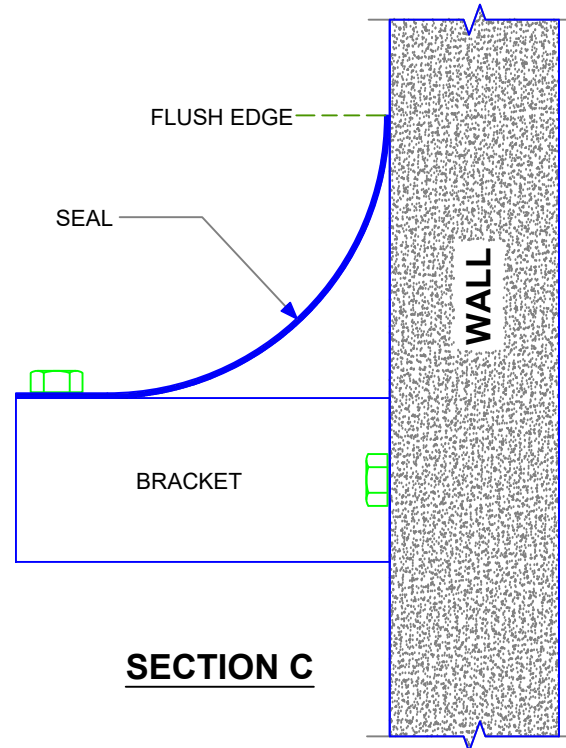
COVER AND FRAME  
OMITTED FOR CLARITY



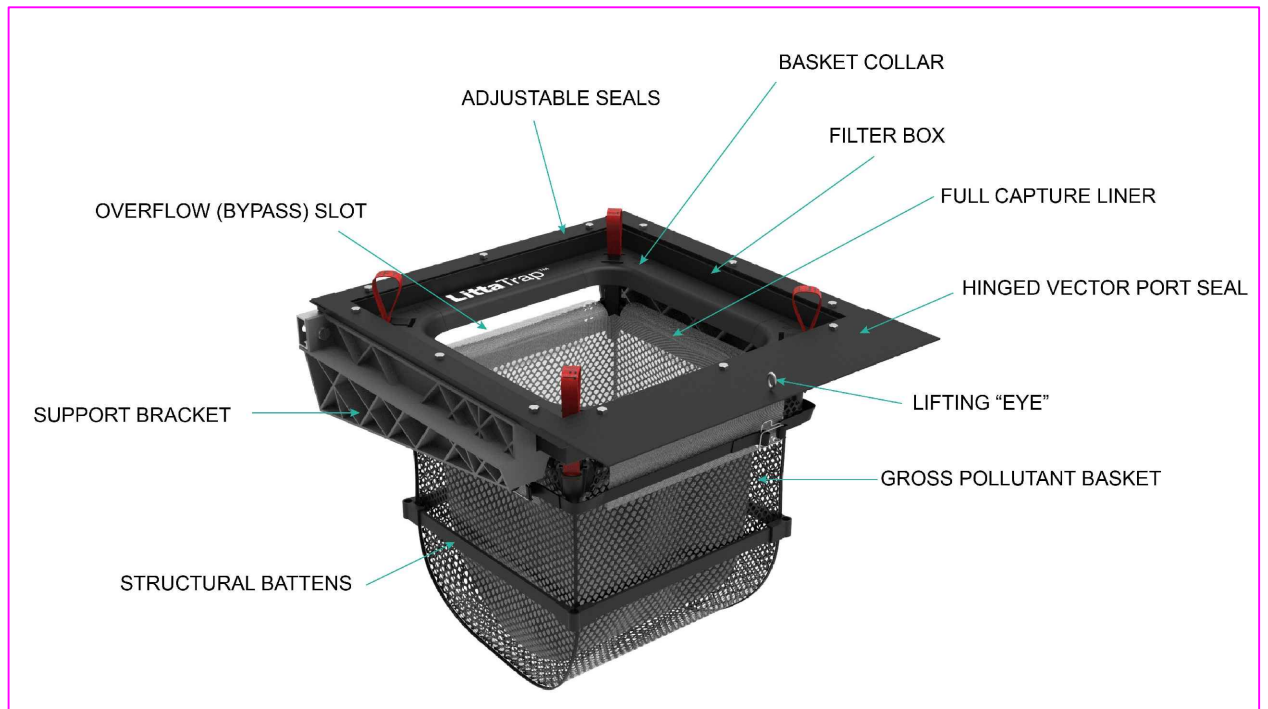
**ENVIROPOD LITTATRAP™ FC  
ROUND MANHOLE**



**SECTION A-A**



**SECTION C**



**ENVIROPOD LITTATRAP™ FC COMPONENTS**

<b>ENVIROPOD LittaTrap™ FC MODELS AND SIZES</b>									
LittaTrap™ FC Model Size (inch)	LittaTrap FC Model	Bracket Width (inch)	Min Filter Box Size (Without Seals)		Max Filter Box Size (With Seals)		Basket Collar Size		Basket Depth (inch)
			Length (inch)	Width (inch)	Length (inch)	Width (inch)	Length (inch)	Width (inch)	
18 x 18	LTFC4545	17.1	15.4	15.4	20.6	20.6	12.0	12.0	15.7
24 x 24	LTFC6060	22.4	20.2	20.2	25.3	25.3	17.3	17.3	15.7

<b>ENVIROPOD LittaTrap™ FC ROUND MANHOLE FLOW AND STORAGE SPECIFICATION</b>					
Catch Basin Diameter (Inch)	LittaTrap FC Model Size	Screen Area in²	Maximum Trash Capture Volume (MCTV) ft³	Design Flow Rate 50% MCTV CFS	Standard Bypass Flow CFS
24" - 27"	LTFC4545	601	0.7	2.1	2.1
36"	LTFC6060	969	1.3	3.2	3.3
48"	LTFC6060	969	1.3	3.2	3.3

The Enviropod LittaTrap™ has an adjustable bypass. Flow rates listed are for a factor set bypass. Please contact Enviropod for specific bypass requirements.

THE Enviropod® may be protected by one of the following Canadian, USA or International patent numbers and has other patents pending : 2,810,974, 13/824,376, 15/459,964, 2011302712, 588049

PATENT No.



**ENVIROPOD LittaTrap™ FC  
ROUND MANHOLE  
GENERIC DRAWING  
(IMPERIAL UNITS)**

DRG No :

**ENV-LT-FC-RD-MANHOLE**

REV : A

DATE : 09.12.21

JOB NO :

PROJECT :

DRN :

CKD :

R.P. 09.12.21

BVL 09.12.21

REV

REVISION DETAIL

A FIRST ISSUE

DATE

09.12.21