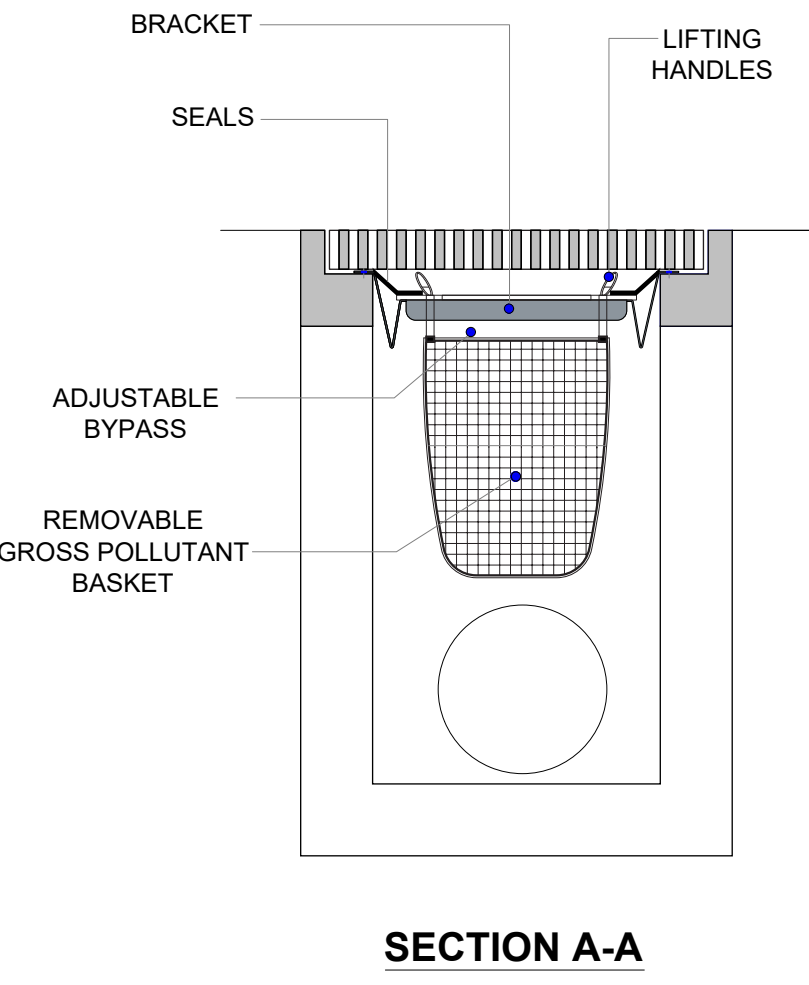


**LITTATRAP™ LT3030 COMPONENTS**



**SECTION A-A**

**FLOW AND STORAGE SPECIFICATION**

Catch basin size (mm)	LittaTrap™ model	Screen area (in <sup>2</sup> )	Capture volume (ft <sup>3</sup> )	Design flow rate (cfs) <sup>1</sup>	Maximum treatable flow rate (cfs) <sup>2</sup>	Bypass flow rate (cfs) <sup>3</sup>
300x300	LT3030	194.5	0.17	0.49	0.98	1.47
300x450	LT3030	194.5	0.17	0.49	0.98	1.47

**Notes:**

- <sup>1</sup> design flow rate taken at 50% capacity includes safety factor.
- <sup>2</sup> maximum treatable flow rate at 50% maximum capture volume.
- <sup>3</sup> factor set bypass based on bypass orifice dimensions.

The EnviroPod® may be protected by one of the following Canadian, USA or International patent numbers and has other patents pending :  
 2,810,974, 13/824,376, 15/459,964, 2011302712, 588049

PATENT No.

THE DESIGN AND INFORMATION SHOWN ON THIS DRAWING IS PROVIDED AS A SERVICE TO THE PROJECT OWNER, ENGINEER AND CONTRACTOR BY ENVIROPOD. NEITHER THIS DRAWING, NOR ANY PART THEREOF, MAY BE USED, REPRODUCED OR MODIFIED IN ANY MANNER WITHOUT THE PRIOR WRITTEN CONSENT OF ENVIROPOD. FAILURE TO COMPLY IS DONE AT THE USER'S OWN RISK AND IMBRIUM EXPRESSLY DISCLAIMS ANY LIABILITY OR RESPONSIBILITY FOR SUCH USE. IF DISCREPANCIES BETWEEN THE SUPPLIED INFORMATION UPON WHICH THE DRAWING IS BASED AND ACTUAL FIELD CONDITIONS ARE ENCOUNTERED AS SITE WORK PROGRESSES, THESE DISCREPANCIES MUST BE REPORTED TO STORMWATER360 IMMEDIATELY FOR RE-EVALUATION OF THE DESIGN. ENVIROPOD ACCEPTS NO LIABILITY FOR DESIGNS BASED ON MISSING, INCOMPLETE OR INACCURATE INFORMATION SUPPLIED BY OTHERS.

**ENVIROPOD™**  
 A STORMWATER360™ COMPANY  
 www.enviropod.com

**LITTATRAP™ LT3030  
 SPECIFICATION  
 DRAWING**

DATE : 24.01.21      SCALE : NTS

REV #	DATE	REVISION DESCRIPTION	BY	SHEET NUMBER
A	20.05.21	BASE DRAWING	R.P.	1 OF 1
A	24.05.21	IMPERIAL VERSION APPROVED	D.T.	
DRAWN : R.P.		CHECKED : D.T.	FOR USE IN THE USA	REV : A