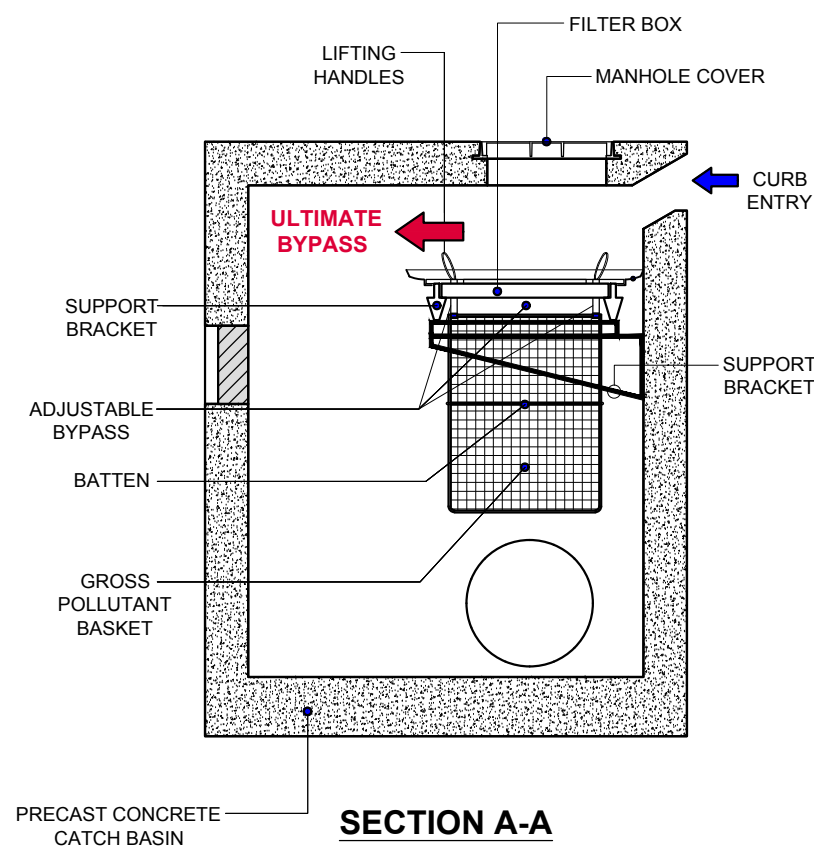
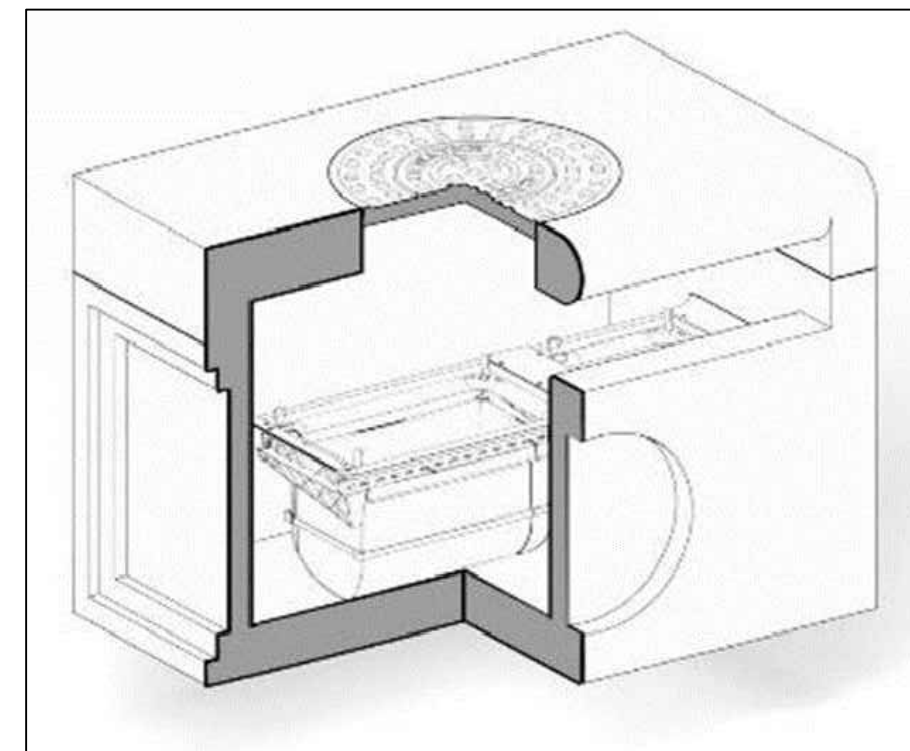


**PLAN VIEW**



**SECTION A-A**



**ENVIROPOD LittaTrap™ FC MODELS AND SIZES**

Nominal Catch Basin Size (inch)	LittaTrap FC Model Size	Bracket Width (inch)	Min Filter Box Size (Without Seals)		Max Filter Box Size (With Seals)		Basket Collar Size		Basket Depth (inch)
			Length (inch)	Width (inch)	Length (inch)	Width (inch)	Length (inch)	Width (inch)	
24 x 24	LTFC6060	22.4	20.2	20.2	25.3	25.3	17.3	17.3	15.7
36 x 24	LTFC9060	34.3	32.0	17.6	37.1	22.7	29.1	17.3	15.7

**ENVIROPOD LittaTrap™ FC CURB ENTRY FLOW STORAGE AND SPECIFICATIONS**

NAME	Vault Length ft	TECHNICAL		
		Capture Volume CFS	Design Flow Rate CFS	Ultimate Bypass (200% Safety factor)
LittaTrap 3' Curb Entry Full Capture	3	3	4.8	10.42
LittaTrap 3.5' Curb Entry Full Capture	3.5	3	4.8	12.16
LittaTrap 4' Curb Entry Full Capture	4	3	4.8	13.90
LittaTrap 5' Curb Entry Full Capture	5	3.2	6.4	17.37
LittaTrap 6' Curb Entry Full Capture	6	4.6	8	20.85
LittaTrap 7' Curb Entry Full Capture	7	6	9.6	24.32
LittaTrap 8' Curb Entry Full Capture	8	6.2	11.2	27.79
LittaTrap 9' Curb Entry Full Capture	9	7.6	12.8	31.27
LittaTrap 10' Curb Entry Full Capture	10	9	14.4	34.74
LittaTrap 11' Curb Entry Full Capture	11	9.2	16	38.22
LittaTrap 12' Curb Entry Full Capture	12	10.6	17.6	41.69

THE Enviropod® may be protected by one of the following Canadian, USA or International patent numbers and has other patents pending :  
2,810,974, 13/824,376, 15/459,964, 2011302712, 588049

PATENT No.



**Enviropod LittaTrap™ FC  
CURB ENTRY  
GENERIC DRAWING  
(IMPERIAL UNITS)**

JOB NO :

PROJECT :

DRN :

CKD :

R.P.

BVL

19.11.21

19.11.21

REV

F

G

REVISION DETAIL

REDRAWN

TABLE REVISED

DATE

19.11.21

09.12.21

DRG No :

CALIFORNIA CURB ENTRY-1

REV : A

DATE : 19.11.21