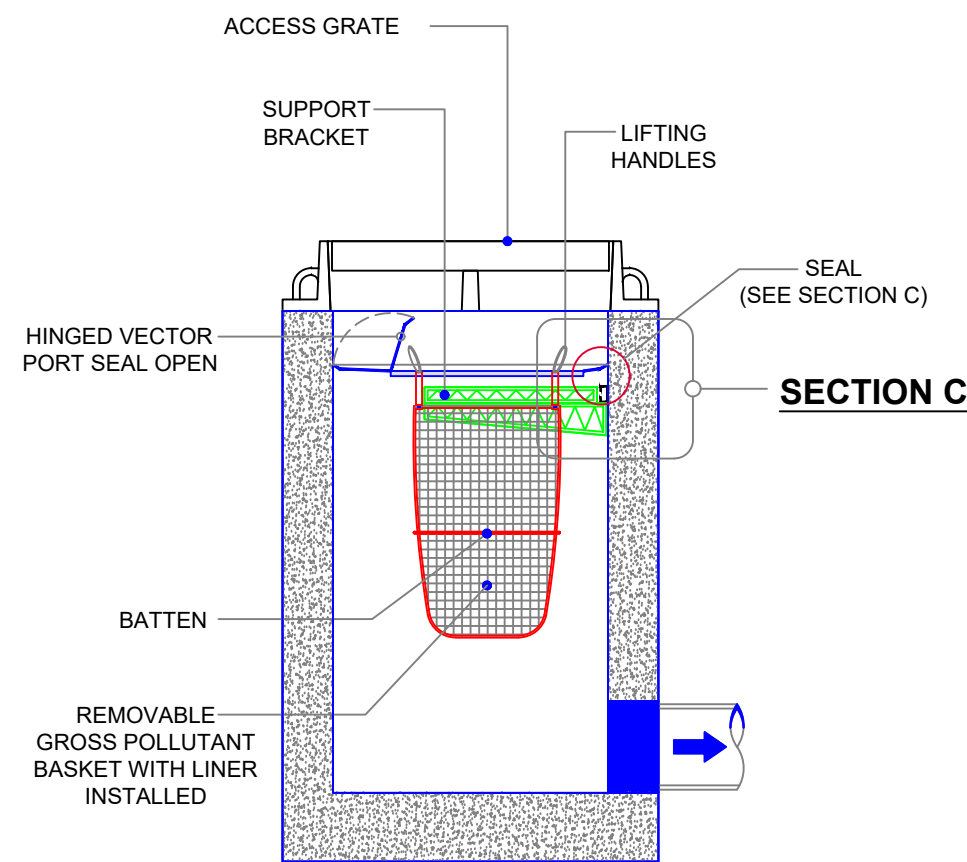
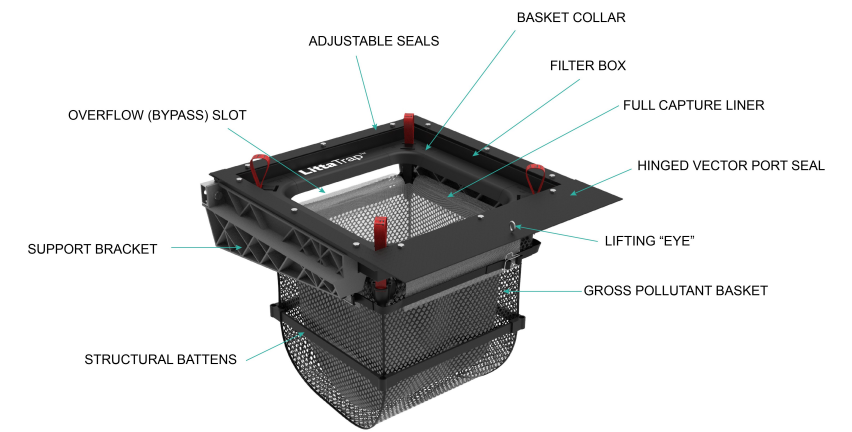


**PLAN VIEW**

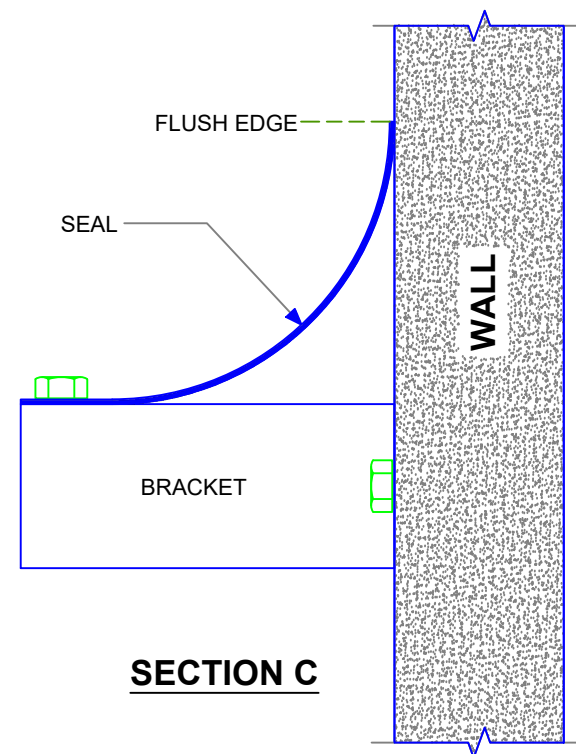
**ENVIROPOD LITTATRAP™ FC WITH CONSTRUCTION LINER AND COMPONENTS**

**TO USE THE LITTATRAP AS A CONSTRUCTION BMP:**

1. INSTALL LITTATRAP WITH CONSTRUCTION LINER DURING CONSTRUCTION.
2. CHECK REGULARLY AND REPLACE CONSTRUCTION LINER AS NEEDED
3. REMOVE CONSTRUCTION LINER AND INSTALL FULL CAPTURE LINER WHEN CONSTRUCTION IS FINISHED FOR POST CONSTRUCTION USE.



**SECTION A-A**



**SECTION C**

<b>ENVIROPOD Littatrap™ FC MODELS AND SIZES</b>									
Nominal Catch Basin Size (inch)	LittaTrap™ FC Model Size	Bracket Width (inch)	Min Filter Box Size (Without Seals)		Max Filter Box Size (With Seals)		Basket Collar Size		Basket Depth (inch)
			Length (inch)	Width (inch)	Length (inch)	Width (inch)	Length (inch)	Width (inch)	
18 x 18	LT4545	17.1	15.4	15.4	20.6	20.6	12.0	12.0	15.7
24 x 24	LT6060	22.4	20.2	20.2	25.3	25.3	17.3	17.3	15.7
36 x 24	LT9060	34.3	32.0	20.2	37.1	25.3	29.1	17.3	15.7

<b>ENVIROPOD Littatrap™ FC FLOW AND STORAGE SPECIFICATION</b>					
Basin Size (Inch)	LittaTrap™ FC Model SIZE	Screen Area in²	Maximum Trash Capture Volume (MCTV) - ft³	Design Flow Rate 50% MCTV CFS	Standard Bypass Flow CFS
18 x 18	LTFC4545	601	0.7	2.1	2.1
24 x 24	LTFC6060	969	1.6	3.2	3.3
36 x 18	2 x LTFC4545 *	1203	1.4	4.2	4.2
36 x 24	LTFC9060	1473	3.0	4.8	4.5
36 x 36	LTFC9060 + Seal Extension Kit *	1473	3.0	4.8	4.5
48 x 48	2 x LTFC9060 *	2946	6.0	9.6	9.0

The Enviropod Littatrap™ has an adjustable bypass. Flow rates listed are for a factor set bypass. Please contact Enviropod for specific bypass requirements.

\* Requires an additional seal extension kit for standard installation

THE Enviropod® may be protected by one of the following Canadian, USA or International patent numbers and has other patents pending : 2,810,974, 13/824,376, 15/459,964, 2011302712, 588049

PATENT No.



**ENVIROPOD Littatrap™ FC WITH CONSTRUCTION LINER AND VECTOR PORT SPECIFICATION DRAWING**

DRG No: **LT -GRATED INLET CONST**

REV: I

DATE: 13/02/23

JOB NO :		REV	REVISION DETAIL	DATE
PROJECT :		G	REDRAWN	12/14/21
		H	VP OPTIONAL	01/10/22
		I	CONST. LINER	13/02/23
DRN :	R.P.			12/14/21
CKD :	BVL			12/14/21