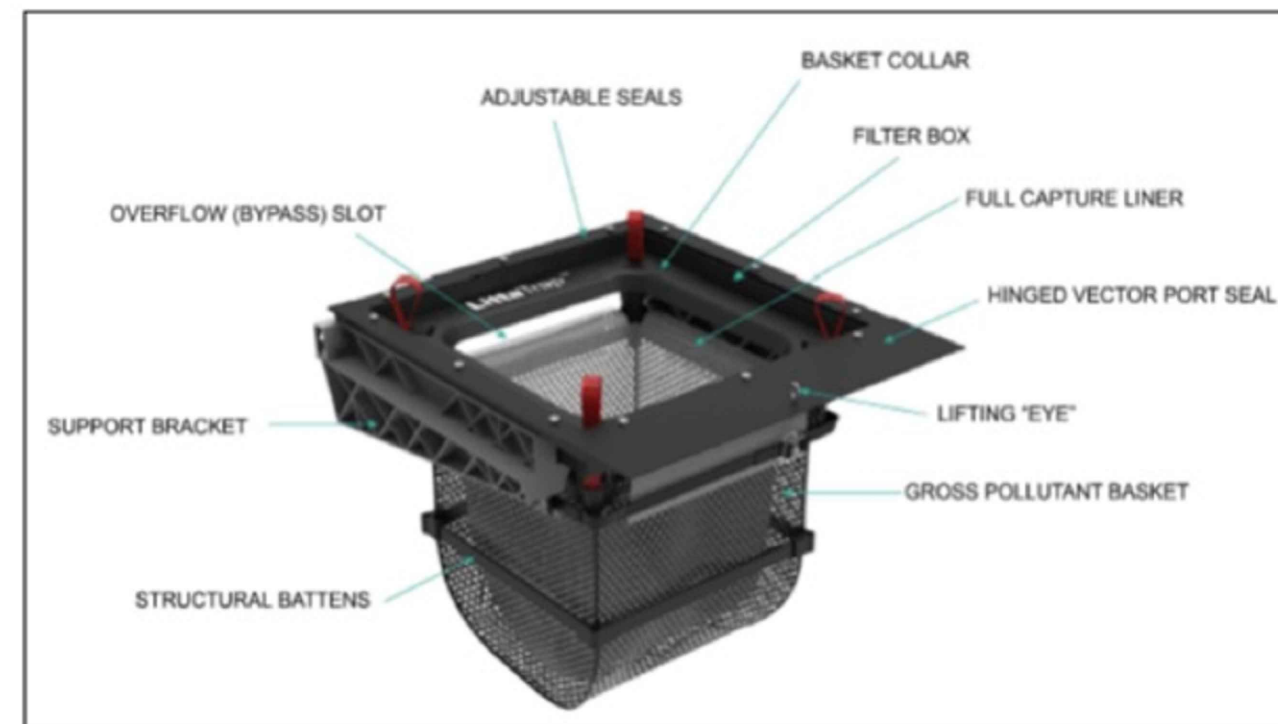
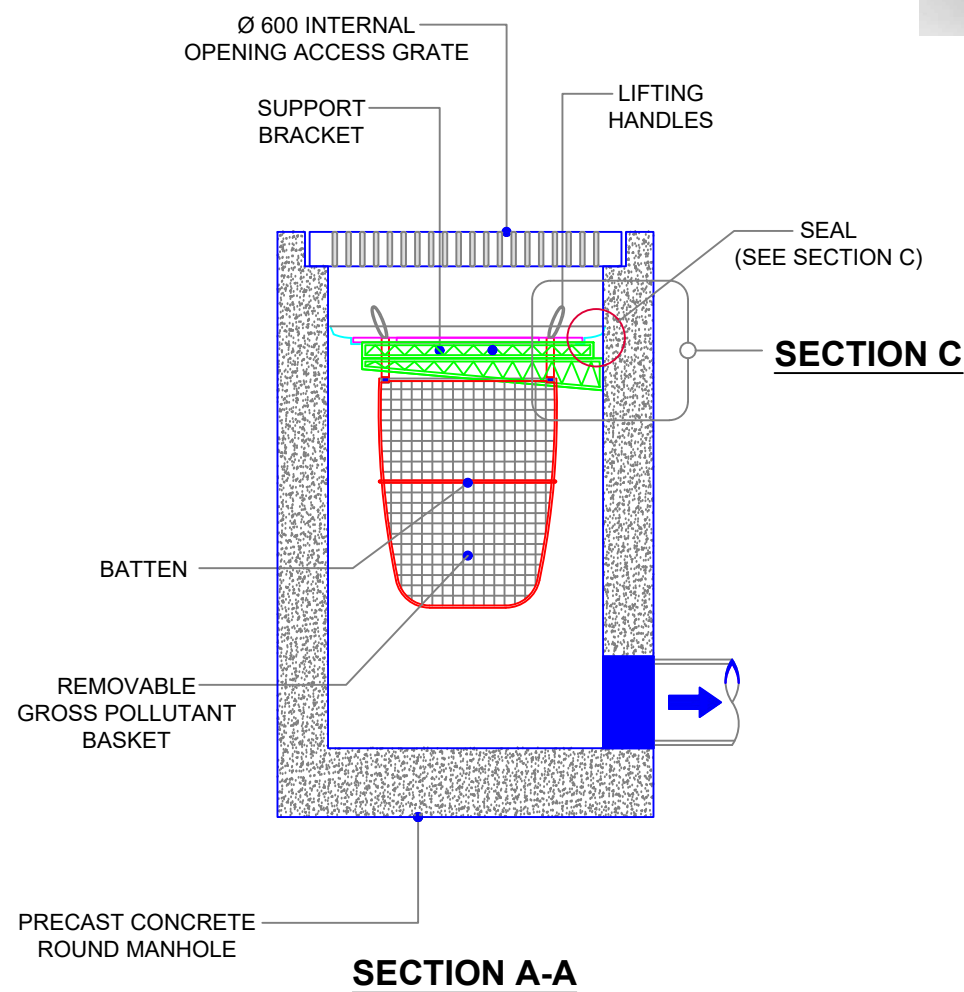


PLAN VIEW

COVER AND FRAME OMITTED FOR CLARITY

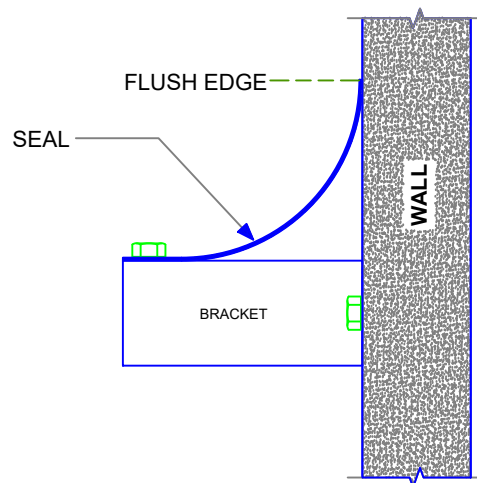


ENVIROPOD LITTATRAP™ FC COMPONENTS



SECTION A-A

ENVIROPOD LITTATRAP™ FC ROUND MANHOLE



SECTION C

ENVIROPOD LittaTrap™ MODELS AND SIZES

LittaTrap™ Model Size (mm)	LittaTrap Model	Bracket Width (mm)	Min Filter Box Size (Without Seals)		Max Filter Box Size (With Seals)		Basket Collar Size		Basket Depth (mm)
			Length (mm)	Width (mm)	Length (mm)	Width (mm)	Length (mm)	Width (mm)	
450 x 450	LT4545	435	377	377	492	492	305	305	400
600 x 600	LT6060	570	512	512	647	647	440	440	400

ENVIROPOD LittaTrap™ ROUND MANHOLE FLOW AND STORAGE SPECIFICATION

Catch Basin Diameter (mm)	LittaTrap Model Size	Screen Area cm²	Maximum Trash Capture Volume (L)	Design Flow Rate 50% MCTV (L/s)	Standard Bypass Flow (L/s)
600-685	LT4545	3880	17	42	55
900	LT6060	6250	43	69	88
1200	LT6060	6250	43	69	88

LittaTrap™ BY ENVIROPOD CANADA LTD
CONTACT : BARRY IRWIN
 MOBILE : (437) 214-5419
 USA / CANADA : TOLL FREE : (877) 651-0566
 EMAIL : barryi@enviropod.com
 WEB : www.enviropod.com

The Enviropod LittaTrap™ has an adjustable bypass. Flow rates listed are for a factory set bypass. Please contact Enviropod for specific bypass requirements.

The Enviropod LittaTrap™ can install in other manhole sizes. Contact Enviropod with sizing for more information.

THE Enviropod® may be protected by one of the following Canadian, USA or International patent numbers and has other patents pending : 2,810,974, 13/824,376, 15/459,964, 2011302712, 588049

PATENT No.



ENVIROPOD LittaTrap™ ROUND MANHOLE GENERIC DRAWING

DRG No : **CAN-LT-SPEC-MANHOLE** REV : B DATE : 09/12/21

JOB NO :	REV	REVISION DETAIL	DATE
PROJECT :	A	FIRST ISSUE	09/12/21
	B	TABLE UPDATE	10/18/22
DRN : R.P.			09/12/21
CKD : BVL			09/12/21