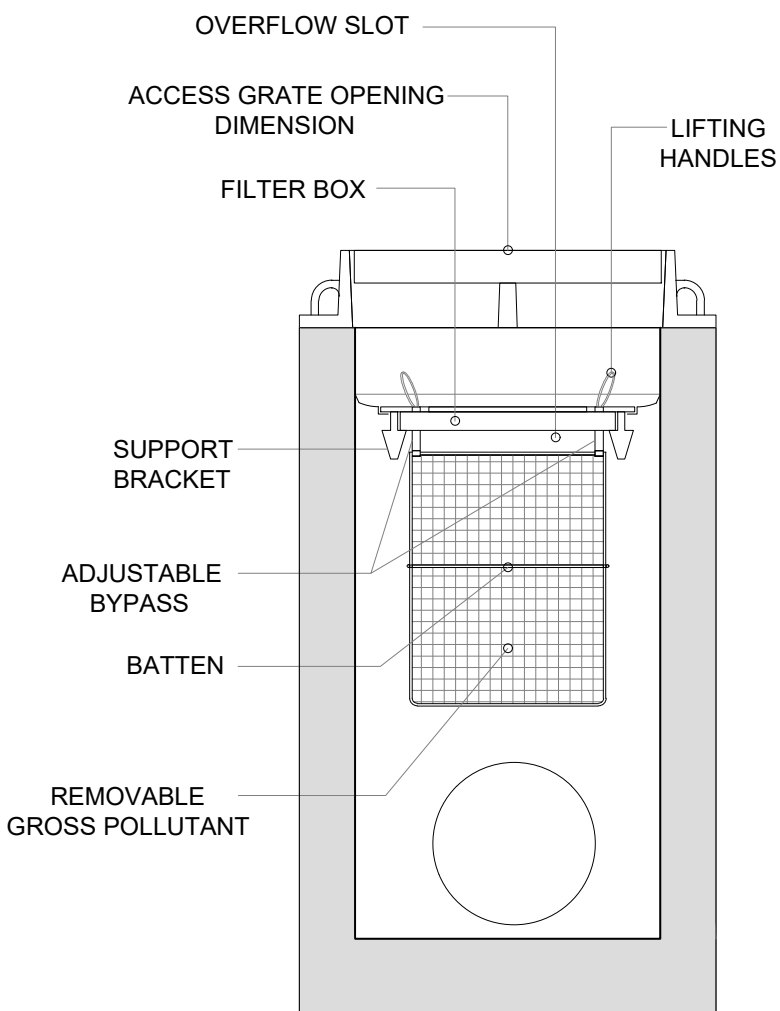


**ENVIROPOD200™ COMPONENTS**

**MODEL AND SIZE SPECIFICATION**

Catch basin size (mm)	Enviropod200 model	Bracket width (mm)	Filter box size (mm)		Seal kit size (mm)		Basket size (mm)		
			Length	Width	Length	Width	Length	Width	Depth
450x450	EP4545-200	435	377	377	492	492	225	225	400
600x600	EP6060-200	570	512	512	647	647	362	362	400
900x600	EP9060-200	872	812	447	947	647	650	362	400
900x900	EP9060-200*	872	812	447	963	935	650	362	400
1200x1200	2xEP9060-200**	872	812	447	1 324	1 235	650	362	400



**FLOW AND STORAGE SPECIFICATION**

Catch basin size (mm)	Enviropod200 model	Screen area (cm <sup>2</sup> )	Capture volume (L)	Design flow rate (L/s) 1	Maximum treatable flow rate (L/s) 2	Bypass flow rate (L/s) 3
450x450	EP4545-200	3 880	17	10	21	55
600x600	EP6060-200	6 250	43	17	34	88
900x600	EP9060-200	9 500	81	25	51	124
900x900	EP9060-200*	9 500	81	25	51	124
1200x1200	2xEP9060-200**	19 000	162	50	102	248

\* with 900x900mm seal adaptor kit

\*\* with 1200x1200mm seal adaptor kit

**Notes:**

1 design flow rate taken at 75% maximum capture volume.

2 maximum treatable flow rate taken at 75% maximum capture volume.

3 factor set bypass based on bypass orifice dimensions.

**CONDITION OF USE**

© Enviropod 2022  
 Any unauthorised reproduction of this drawing in part or in full is prohibited

**ENVIROPOD200  
 GRATE INLET  
 SPECIFICATION DRAWING**